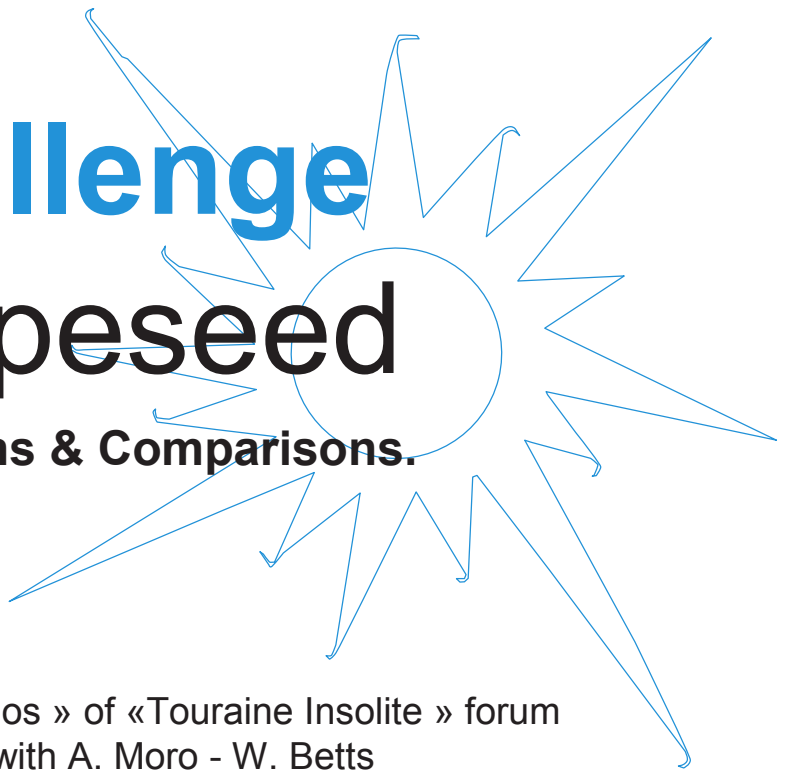
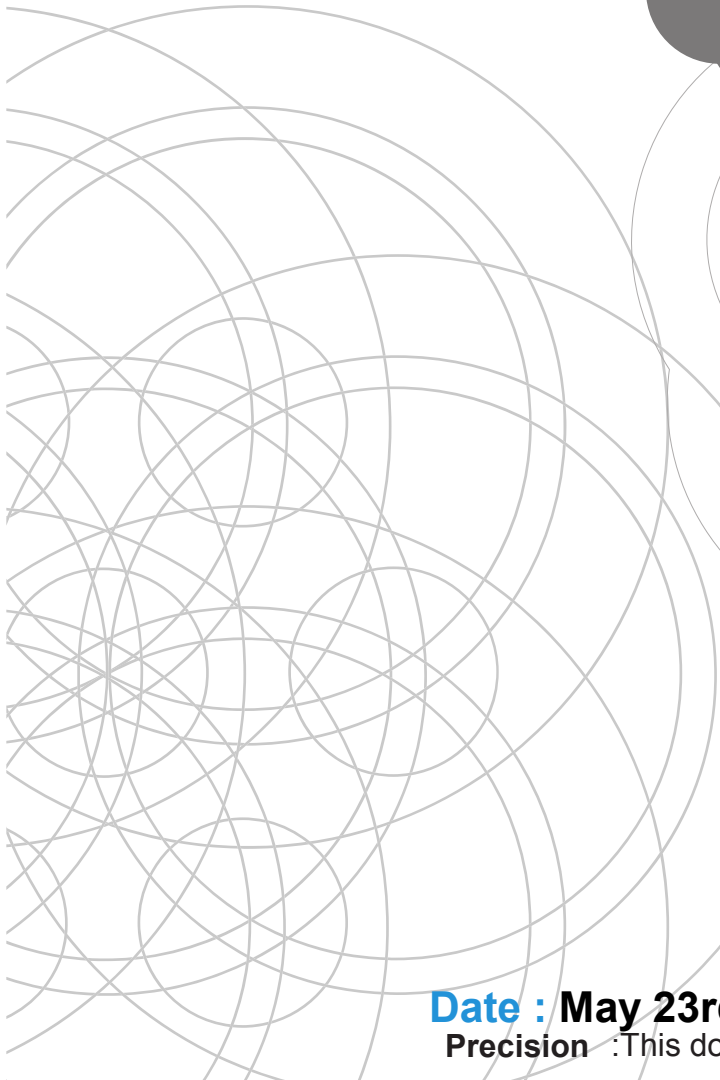
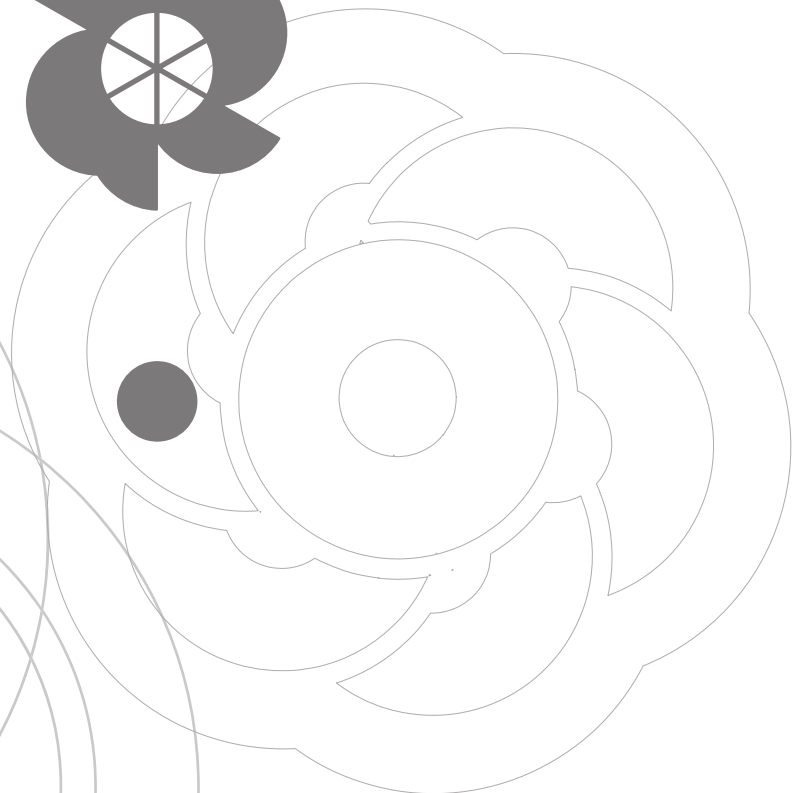
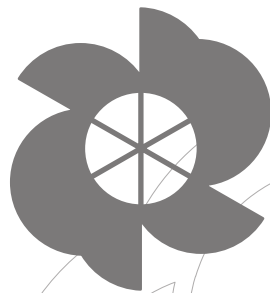


# Challenge in rapeseed

Observations & Comparisons.



Written by « Mikerynos » of « Touraine Insolite » forum  
in collaboration with A. Moro - W. Betts  
Of the website « Culture crop »



This experimental protocol includes the description of conditions and procedure of an experiment or a test. This description is sufficiently clear for the experience to be replicated and critically analyzed to detect any particular bias..

## **Title : « Challenge in rapeseed »**

Investigators : XXXXX  
Co-investigators : XXXXX  
Date : May 23rd **2010**  
Version No **1.0**  
Precision : This document is not a scientific report.

### **Introduction.**

The "phenomenon" known as "crop circles", appears regularly in various crops for 30 years. It has been studied *in situ* in the 90s. This study gave birth to a report called VECA (1) which led to the development of a model (8 principles) with the following as a working hypothesis: "The crop circles are the work of one or several teams of at least two people each, acting together or independently, usually at night and with reduced logistics "(2) Finally, the report concluded that all complexes crop circles have this model for basis, and supports the « manmade » hypothesis. Full-sized experience was conducted in 1990 (3), it confirmed the 8 basic principles developed in this report.

However, 20 years after this experience, the complexity of the phenomenon has evolved. Some formations are not anymore longer compatible with the method described and used in this report. To summarize: two rapeseed crop circles (*Brassica napus*) that appears in Golden Ball Hill in 2005 And Rutlands Farm in 2009 have characteristics (or anomalies) that are not achievable using planks and rollers.

Our approach is this one: try to reproduce in rapeseed field the same observed characteristics, using a similar methodology of the full-sized experience of 1990.

---

(1) This report is not a scientific document, but a study based primarily on field observation. This study focused only on crop circles made on wheat or barley crops. It is available in free download on the French GEIPAN website.

(2) See page 12 of the VECA report.

(3) Study done on VECA request. Available on the CNEGU French website (Experience - Pierdel in Verdes) « Science & Vie » magazine N° 878 of 1990 November

About this experience, to today's date, unfortunately there's neither any available protocole nor technical datas, But the authors of this study stated to us that the specifications was strict.

## **PLAN**

Written by « Mikerynos » of « Touraine Insolite » forum in collaboration with A. Moro - W. Betts of  
The website « Culture crop »

### **Principle of the experimentation**

- P01** - Main goal.
- P02** - Rough summary of the experimentation.
- P03** - Identifying characteristics (or anomalies) to reproduce.
- P04** - Pictogram pattern to realize.
- P05** - Operating mode.
- P06** - Materials means.
- P07** - Observations and controls.
- P08** - Funding.
- P09** - Glossary, sources and informations.
- P10** - Appendix & detailed description of the experiment.



**Photography** : Rapeseed field at the beginning of May

## Principle of the experimentation.

### **P01 – Main goal**

Verifying a hypothesis with the experience, There may be one or several secondary goals.

### Cause-effect description.

It's about to test the influence of the method described in the VECA report p72 on the rapeseed. It provides the procedure to execute such a pictogram in the crop.

### **P02 – Rough summary of the experimentation.**

- The experience consist in a try to reproduce the phenomenon called « crop circle » in a rapeseed field.
- The aim is therefore to reproduce a complex pattern with the least possible damages to the crops in the observable conditions described in **P03**
- The possibility to either confirm or invalidate the initial hypothesis but, in all cases, to gather informations and draw lessons from a possible failure .

### **P03 - Identifying characteristics (or anomalies) to reproduce**

Place of the discovery of the two « reference » crop circles : « *Golden Ball Hill* » (Wiltshire, England) May 1<sup>st</sup>, 2005, and « *Rutlands Farm* », close to Avebury (Wiltshire, England), April 23<sup>rd</sup>, 2009 (See details and photographs in **Appendix 1**)

- Parcels and flowers maturity over 90%.
- No broken stems, only bent on their basis.
- Entire flowers.
- No mechanical traces : scratches, breaks, squashed, etc...
- Some stems still stand up inside the formation.
- Crop level lower inside the formation than outside. (Visually and measurable observation)
- The crop is still alive three months after the pictogram
- Stems must show full and straightened up to the sky pods before the harvest.
- Rapeseed still can be harvested.
- Full file here: <http://www.culture-crop.com/2010wiltonsuite.htm>

### **P04 – Pictogram pattern to reproduce.**

- See details in **Appendix 3**.
- Dimension and surface (m2)
- Orientation and geographic location in the field.
- Spatial coordinates in the field.

### **P05 – Operating mode.**

- Establish a schedule (set up, start and end time of the experiment)
- Estimate the number of operator needed to implement the pattern.
- Selection specifications of participants (experience, physical condition...)
- The experiment will take place under the conditions assumed for the creation of a crop circle appeared in Wiltshire (England) described in **Appendix 1**, but on a smaller level.
- In a limited time, at night and without any additional lighting.
- Realization method described in the VECA report page 72.
- Validation procedure by the whole group.

#### **P06- Material means.**

- Reduced and easily transportable logistics.
- Planks, gardener rolls, or any other means of flattening crop.
- Measuring tape, stakes, twine or rope or other means for tracing and tracking in the field (Tachometer, theodolite, laser rangefinder, electronic meter, compass bearing, etc...)

#### **P07- Observation and controls.**

- Possible control by usher (desirable)
- Use of a note-book to gather informations.
- Analysis of the construction task difficulty for each step.
- Taking hi-resolution photographs and videos (macro-photography, large view map, aerial view, use of a mast, etc...)
- Coming back to the experiment place for observations and comparisons, 60 days later and at the harvest period.

#### **P08 - Funding :**

- Financial compensation to the crop's owner.
- Eventually usher expenses.
- Various expenses (equipment rental for example, etc...)
- Eventually participants expenses.

#### **P09 – Glossary, sources and informations**

*Tramlines* - *Parallel tracks on which a tractor run, approximately six feet wide.*

They are ground strips not sown in the crop.

*Crop circles or pictograms* - Terms denoting the same phenomenon : a pattern realized in a crop field (generally wheat)

*Rapeseed* – Bright yellow flowering (Brassicaceae family) used in crops, more informations here:

[http://en.wikipedia.org/wiki/Brassica\\_napus](http://en.wikipedia.org/wiki/Brassica_napus)

#### **P10- Appendix.**

##### Appendix 1.

Human activity traces as described in the VECA report aren't visually obvious on the ground  
It's about two crop circles discovered in Wiltshire :

- « Golden Ball Hill » pictogram (Wiltshire, England) May 1<sup>st</sup>, 2005.
- « Rutlands Farm » pictogram (Wiltshire, England) April 23<sup>rd</sup>, 2009.

##### Appendix 2.

Two other pictograms may show similar anomalies as those described in **Appendix 1**.  
However, lack of informations does not allow to establish certainties. They are presented here as mere curiosities :

- « Burghasungen » pictogram close to Zierenberg (Hessen, Germany) April 30<sup>th</sup>, 1998.
- « Kius » pictogram close to Schlei (Schleswig-Holstein, Germany) May 1<sup>st</sup>, 1998.

##### Appendix 3.

The simple pattern that have to be reproduced should have as basis a crop circle discovered in Italy (Lombardy) in June 29, 2007 and measuring 30 m in diameter. This is a quite simple pattern in its design. This part comprises the detailed description of the experiment.

## **Detailed descriptions and Appendix.**

## Detailed description of the experiment

### **A/- Preparation.**

- Experimentation date : April - May.
- Choice of the field.
- Agreement of the owner's field.
- As far as possible, the experiment must be done on a flat ground.
- The field must contain at least one *tramline*.
- It must also be accessible from a road located at least 15m away.
- Check if the crop fits with the experiment parameters (rapeseed maturity especially)
- Check if the ground do not have any anomaly that could affect the results (traces, holes, etc...)
- Check if the crop do not have any anomaly that could affect the results (diseases, natural damages, ect..)
- Operators clothes must be defined.
- Materials used.

### **B/- Experiment.**

- Crop seedlings : rapeseed (*Brassica napus*)
- seedlings date : September.
- Seeds density/m<sup>2</sup> : 40 to 50 seeds/m<sup>2</sup> (2 to 2.5 kg/ha)
- Seedlings rows (distance in cm) : 40 to 50 cms. Stems height : app. 160 cm.
- Fertilizers : according to the owner.
- Fungicides: according to the owner.
- Flowering maturity: field over 90%.
- Weather : good.
- Ground aspect :(Hygrométry, pH, etc) : humid.
- Description of the experience immediate environment.
- Ground penetrometryl.

### **C/- Procedure.**

- Begin hour : 08h00PM
- Length : 4h00
- Pattern realization (the procedure is the same as described in the VECA report page 72.
- Clockwise and counterclockwise crop flatenning.
- Flatenning crop level (ground height)
- Stems must stand up inside the pictogram.
- Limits between the pictogram and the rest of the crop must be clean.
- Minimizing noises during the pictogram execution.
- Minimizing brightness during the pictogram execution.
- This procedure must be validated.

### **D/- Evaluation.**

- Plants samplings inside the formation.
- Plants samplings outside the formation.
- Measurements about the following specific points :
  - Heliotropism.
  - Gravitropism.
- Stems condition, flowers on the ground, % must be defined.
- Various traces (ground, crop...)



Title : **Challenge in rapeseed**

Investigators :

Co-investigators :

Date : May 23<sup>rd</sup>, 2010

Version N° 1.0

Precision : *this document do not pretend to be a scientific report.*

## APPENDIX 1

### " Golden Ball Hill " pictogram (Wiltshire, England) May 1<sup>st</sup>, 2005. Rapeseed field.



#### " Golden Ball Hill " pictogram (Wiltshire, England) Rapeseed field, May 1<sup>st</sup>, 2005.

This crop circle was created during the night between Saturday April 30<sup>th</sup> and Sunday May 1<sup>st</sup>, 2005. It is composed of several circles.

According to Zef Damen **(1)**, the crop circle reconstruction can be done in 14 steps.

The flattened crop ground is lesser and mainly located in the lanes along the lines and in the small central circle. This pictogram evokes a flower in its Euclidian geometry. The biggest circle have a 34m diameter.

Photographs were made on May 02<sup>nd</sup>, 2005, i-e the day after its discovery **(2)**

**(1)** and **(2)** : see sources p20  
Photographs Lucy Pringle.



Title : **Challenge in rapeseed**

Investigators :

Co-investigators :

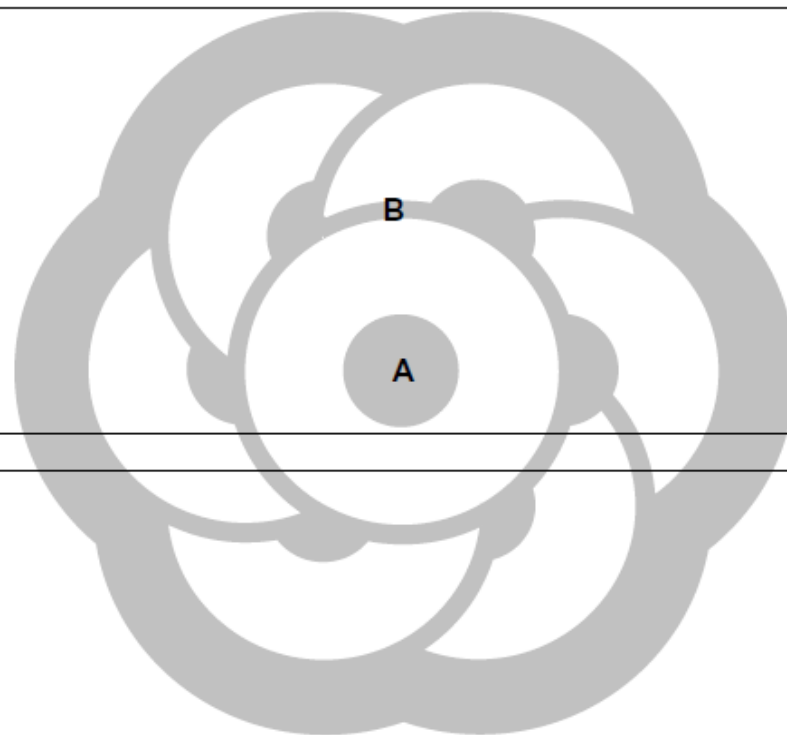
Date : May 23<sup>rd</sup>, 2010

Version N° 1.0

Precision : *this document do not pretend to be a scientific report.*

# APPENDIX 1

**" Golden Ball Hill " pictogram (Wiltshire, England) May 1<sup>st</sup>, 2005.  
Rapeseed field.**



Scale: 1:400 (1 cm = 4 m)

Circle A: Diameter 6 m.

Ring B: Width 1 m.

Drawing R.B 2010



Title : Challenge in rapeseed

Investigators :

Co-investigators :

Date : May 23<sup>rd</sup>, 2010

Version N° 1.0

Precision : *this document do not pretend to be a scientific report.*

## APPENDIX 1

### " Rutlands Farm " pictogram, close to Avebury (Wiltshire, England) April 23<sup>rd</sup>, 2009. Rapeseed field



" Rutlands Farm " crop circle  
(Wiltshire, England)  
Rapeseed field, April 23<sup>rd</sup>, 2009

This crop circle was created during the night between Wednesday April 22<sup>nd</sup> and Tuesday 23<sup>rd</sup>, 2009. It is mainly made of two circles from which 16 triangular lanes start and ended by some sort of « hooks ».

No special geometrical basis for this crop circle which evoke the sun. The flattened crop is important. The main circle size is about 20m diameter. Photographs was made on May 02<sup>nd</sup>, 2009, 10 days After its discovery (3)

(3) See source p20.  
Photographs Lucy Pringle.



Title : Challenge in rapeseed

Investigators :

Co-investigators :

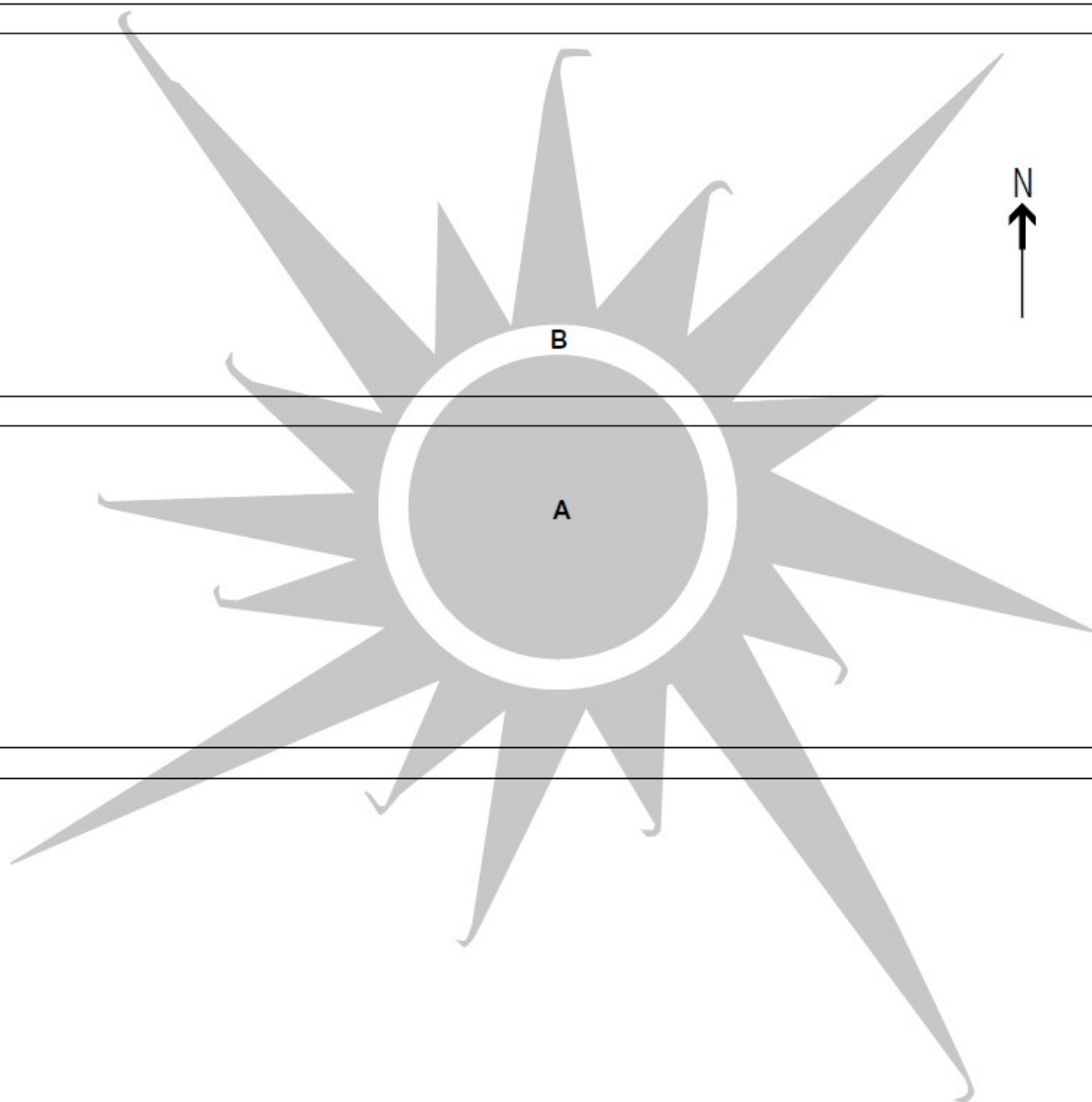
Date : May 23<sup>rd</sup>, 2010

Version N° 1.0

Precision : *this document do not pretend to be a scientific report.*

## APPENDIX 1

" Rutlands Farm " pictogram, close to Avebury (Wiltshire, England) April 23<sup>rd</sup>, 2009.  
Rapeseed field.



Scale: 1:400 (1 cm = 4 m)

Circle A: Diameter 20 m.

Ring B: Width 2 m.

Drawing R.B 2010



Title : Challenge in rapeseed

Investigators :

Co-investigators :

Date : May 23<sup>rd</sup>, 2010

Version N° 1.0

Precision : this document do not pretend to be a scientific report.

## APPENDIX 2

### "Kius" pictogram close to Schlei (Schleswig-Holstein, Germany) May 1<sup>st</sup>, 1998 Rapeseed field.



**"Kius" crop circle, close to Schlei  
(Schleswig-Holstein, Germany)  
May 1<sup>st</sup>, 1998 – Rapeseed field.**

This crop circle was discovered in a rapeseed field by Clemens Richter while he was flying over Kius area on Friday May 1<sup>st</sup>, 1998. On Sunday, May 3<sup>rd</sup> 19h30, he went on the ground, From outside the crop, the circle wasn't visible. One can only see it at a 20m distance.

It is a simple circle which is about 1,2 m diameter and a ring of 7,5 to 8 meters,  
This crop circle was one week old and the crop was flattened counterclockwise

On Monday May 04<sup>th</sup>, Clemens Richter, Mrs. et Mr Enke and their daughter went in the formation. Rapeseed stems showed the same characteristics as those of a similar formation that was discovered in 1996 and was just a simple circle. Stems were bent in a « corkscrew » shape, in the same direction. most of the plants were bent above the ground and were intact.

Source : FGK archive



Title : Challenge in rapeseed

Investigators :

Co-investigators :

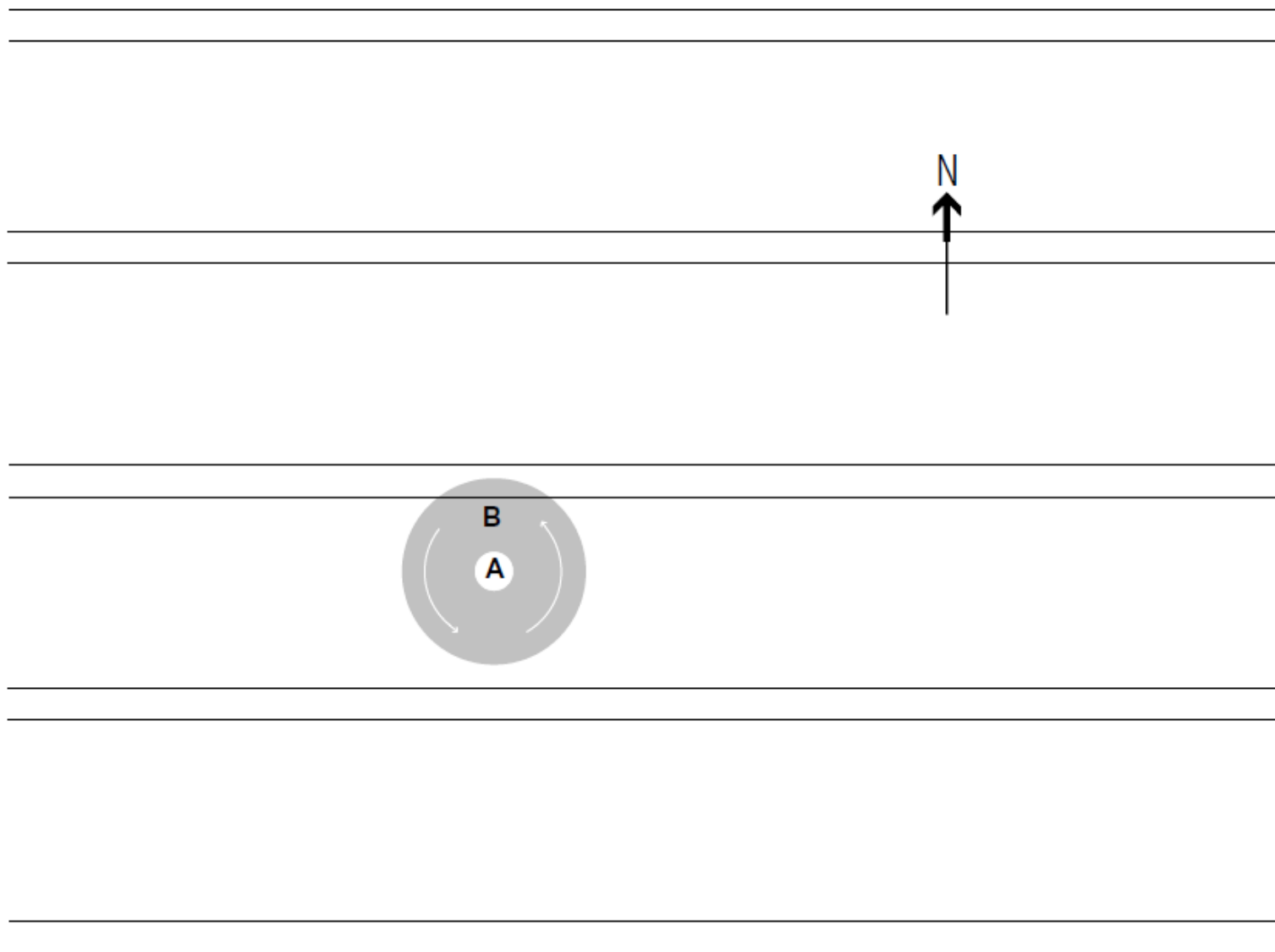
Date : May 23<sup>rd</sup>, 2010

Version N° 1.0

Precision : this document do not pretend to be a scientific report.

## APPENDIX 2

**"Kius" pictogram close to Schlei (Schleswig-Holstein, Germany) May 1<sup>st</sup>, 1998**  
**Rapeseed field.**



**From Jan Schwochow's readings - 1998.**

Scale: 1:400 (1 cm = 4 m)

Circle A: Diameter 1,2 m.

Ring B: Width 7,5 - 8 m.

Drawing R.B 2010

0 1 2 cm

 Flattened crop  
Tramlines

Title : **Challenge in rapeseed**

Investigators :

Co-investigators :

Date : May 23<sup>rd</sup>, 2010

Version N° 1.0

Precision : *this document do not pretend to be a scientific report.*

## APPENDIX 2

### " Burghasungen " pictogram close to Zierenberg (Hessen, Germany) April 30<sup>th</sup>, 2008 – Rapeseed field.



### " Burghasungen " crop circle, close to Zierenberg (Hessen, Germany) April 30<sup>th</sup>, 1998 – Rapeseed field.

This crop circle was discovered Tuesday April 30<sup>th</sup>, 1998 in a rapeseed field, close to the road that goes from Burghasungen to Zierenberg.

Crop have a slight slope.

Saturday May 9<sup>th</sup>, 1998, Frank Laumer and Dirk Laskowski have done a ground investigation.

An aerial overview was done from a remote control airplane equipped with a camera.

Then the crop circle was measured :

Inner circle diameter : 7,10 m.

Outside ring diameter: 9,20 m.

Width lane : between 0,8 m and 1,0 m.

The biggest diameter is estimated to be +/- 30m.

The unusual flattening of the crop in the lowest circle particularly draw attention as the rapeseed is lying in an easterly direction, and only in this part of the crop circle, while the center lies in the opposite direction.

**Source** : FGK archive.



Title : Challenge in rapeseed

Investigators :

Co-investigators :

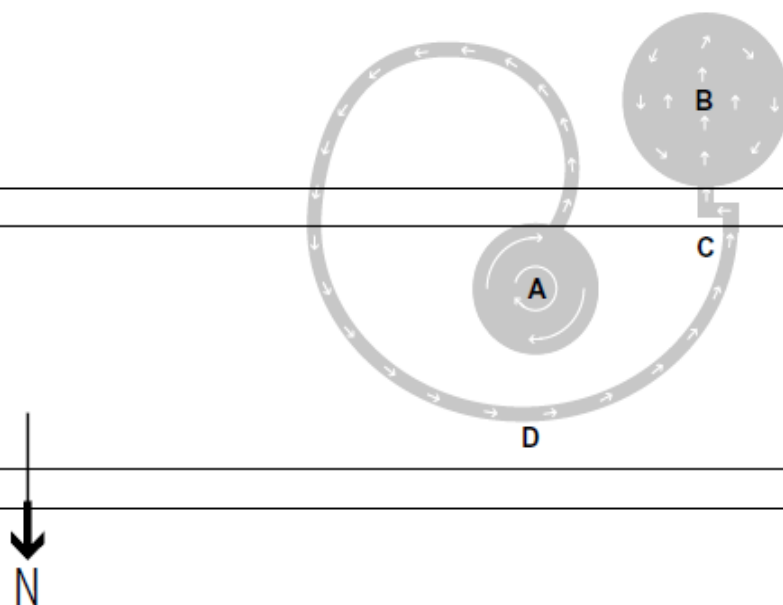
Date : May 23<sup>rd</sup>, 2010

Version N° 1.0

Precision : this document do not pretend to be a scientific report.

## APPENDIX 2

### " Burghasungen " pictogram close to Zierenberg (Hessen, Germany) April 30<sup>th</sup>, 2008 – Rapeseed field.



From Frank Laumer and Dirk Laskowski's drawing

Scale: 1:400 (1 cm = 4 m)

Inner circle diameter (A) : 7,10 m.

Outside ring diameter (B): 9,20 m.

Width lane (C): between 0,8 m and 1.0 m.

The biggest diameter (D) is estimated to be +/- 30 m.

Drawing R.B 2010

0 1 2 cm

 Flattened crop  
Tramlines

### **Appendix 3.**

The pictogram basis for this experiment is the one discovered in the morning of the June 29<sup>th</sup>, 2007 in a wheat field at Desio, a town located in Lombardia county (Italy).

Its diameter was 30 m and the field was surrounded by houses (buildings) and the « Podgora », « Firenze » and « Grigna » streets.

According to the newspaper « Il Giorno » p12 of the June 29<sup>th</sup> edition, residents questioned said they haven't noticed any suspicious movement this night.

#### **Pictogram to realize:**

- In order to facilitate its realization, size and pattern will be simplified.
- It's about a 30m diameter six-petals flower pattern, each of these petals having a 9m width. with an inner « non-flattened » crop circle.
- This 12m diameter central circle is divided into 6 equal portions by a 0,20m width flattened crop lanes.
- The most two southerly petals must be « cut » by a tramline.
- 16m West apart from it, a simple 8m diameter circle (« satellite ») is located 2m south of the tramline.
- The main pattern is located 32m north of a road/lane.
- Crop is flattened clockwise for the main pattern, and counterclockwise for the « satellite ».
- Crop must be bent on its basis.
- A scale diagram is provided.



Title : **Challenge in rapeseed**

Investigators :

Co-investigators :

Date : May 23<sup>rd</sup>, 2010

Version N° 1.0

Precision : *this document do not pretend to be a scientific report.*

## APPENDIX 3

**Experimental pictogram, at ----- (-. -. , -----) Date ----- Hour: ---**  
**Crop : rapeseed**



Pictogram basis for this experiment: Desio, Lombardia (Italy), June 29th, 2007.

Scale: 1:400 (1 cm = 4 m)



 Flattened crop

 Tramlines

Drawing R.B 2010

Title : Challenge in rapeseed

Investigators :

Co-investigators :

Date : May 23<sup>rd</sup>, 2010

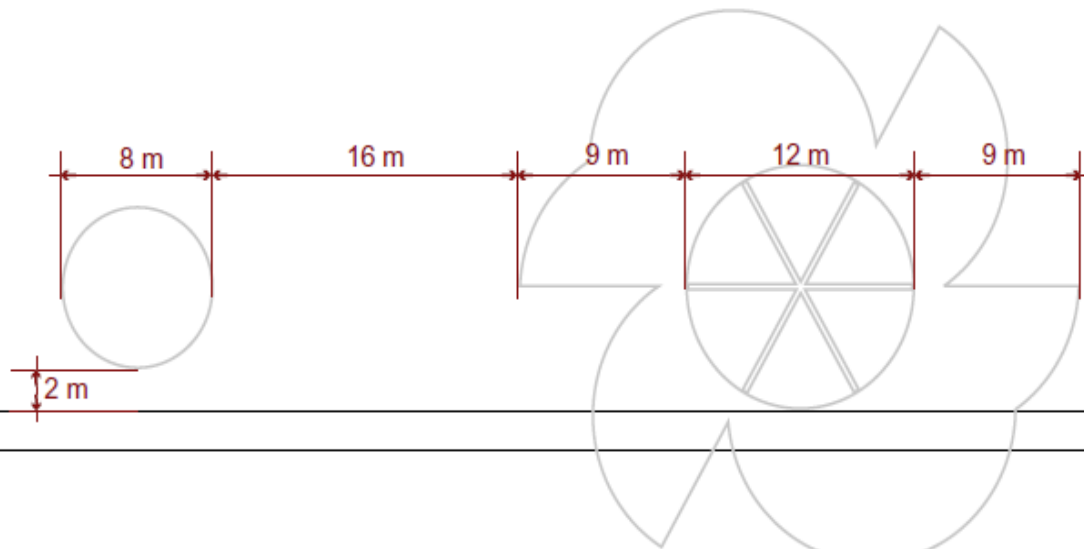
Version N° 1.0

Precision : this document do not pretend to be a scientific report.

## APPENDIX 3

Experimental pictogram, at ----- (--- -- , -----) Date ---.---.--- Hour: ---.---

Crop : rapeseed



0 1 2 cm

Scale: 1:400 (1 cm = 4 m)

road or lane

-  Flattened crop
-  Tramlines

## Sources and informations.

### **Culture Crop. (in French)**

<http://www.culture-crop.com/>

<http://www.culture-crop.com/2005goldenballhill.htm>

<http://www.culture-crop.com/2009rutlandsfarm.htm>

<http://www.culture-crop.com/2010wiltonsuite.htm>

<http://www.culture-crop.com/defitdanslecolza2007.htm>

### **Touraine & Insolite. (in French)**

<http://touraine-insolite.xooit.com>

### **Zef Damen Crop Circle Reconstructions.**

<http://www.zefdamen.nl/CropCircles/Reconstructions/2005/GoldenBallHill05/goldenballhill2005en.htm>

### **Archives from « für Grenzwissenschaften und Kornkreise » forum (Appendix 2) (in German)**

<http://www.fgk.org/>

### **Lucy Pringles website (Pictures)**

<http://www.lucypringle.co.uk>

### **VECA report. (in French)**

[http://www.cnes-geipan.fr/documents/Rapport\\_VECA.pdf](http://www.cnes-geipan.fr/documents/Rapport_VECA.pdf)

